
Scan System (C)
Printing System (P)
MB-7

———— CONTENTS ————

FIG. 1 Scan System (C), Printing System (P), MB-7 2

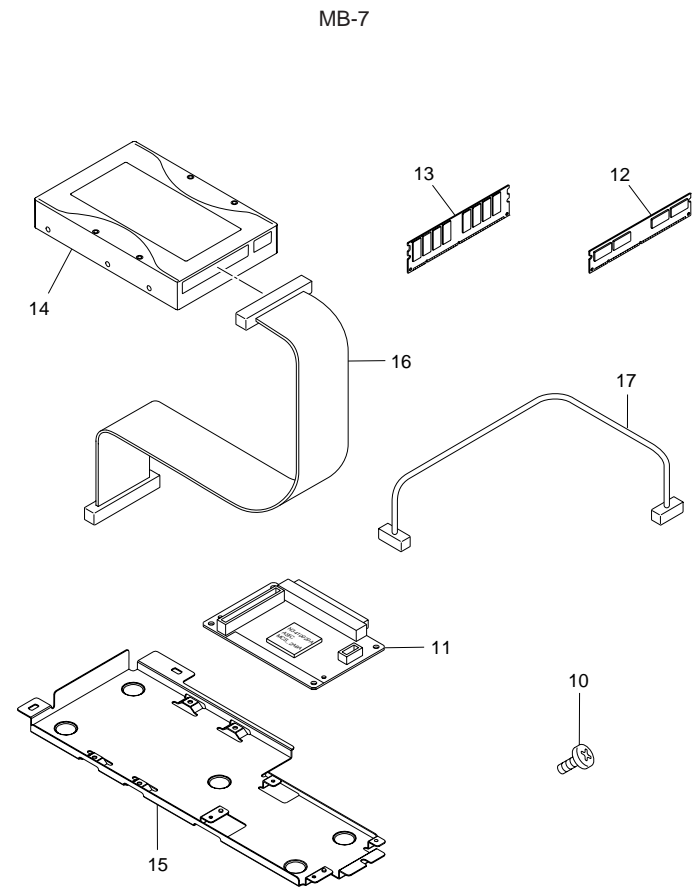
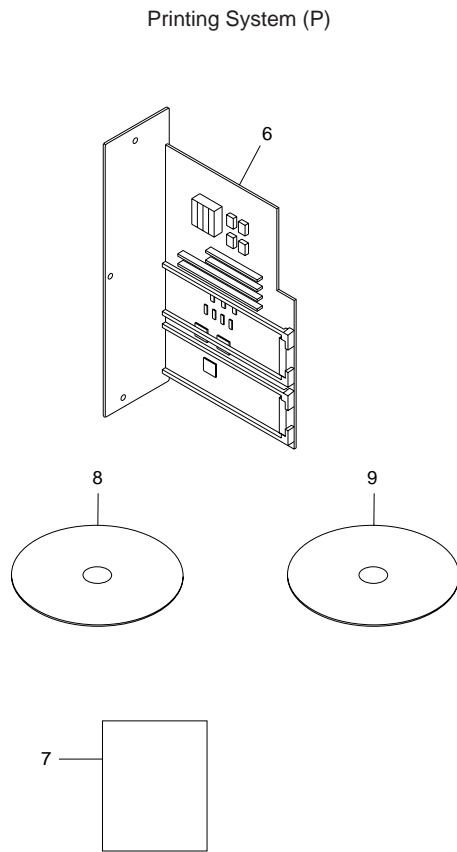
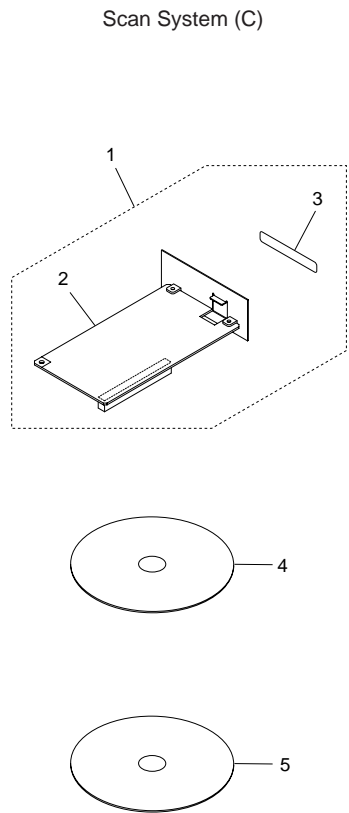


FIG. 1 Scan System (C), Printing System (P), MB-7

3B3/3B4/3CV

SP	Ref. No.	Part. No.	Description	Quantity		
				120V	230V	240V
	1	3B301010	SCANNER NIC ASS'Y	1	1	1
	2	*3B328010	NETWORK SCANNER PCB	1	1	1
	3	*3BJ05010	LABEL MAC	3	3	3
	4	3BJ27061	CDROM,WRITING FINISH(EXP)	1	1	1
	5	3B327010	CDROM,SCANNER	1	1	1
	6	3B401010	PRINTER CONTROLLER ASS'Y	1		1
	6	3B401030	PRINTER CONTROLLER ASS'Y(EUR)		1	
	7	3BJ05022	GUIDE,SET UP	1		1
	8	3BJ27014	CDROM,PRINTER	1		1
	9	3BK27063	CDROM,PRINTER	1	1	1
	10	B3023060	BINDING TAP TITE S SCREW M3X6	3	3	3
	11	3CV01010	MCS PCB ASS'Y	1	1	1
	12	3CV27010	IC,DIMM MEMORY(HT)	1	1	1
	13	3CV27020	IC,DIMM MEMORY(AD)	1	1	1
●	14	2A027800	UNIT,HDD(S2)	1	1	1
	15	2A660210	MOUNT MCS PCB	1	1	1
	16	2A660230	WIRE,HDD	1	1	1
	17	2A660240	WIRE,HDD POWER SOURCE	1	1	1

- Parts with "•" are component parts or sub-assemblies of the assembly appearing immediately above them.
- Parts with "●" indicates the Service parts.

- Parts with "••" are component parts or sub-assembly with "•" appearing immediately above them.